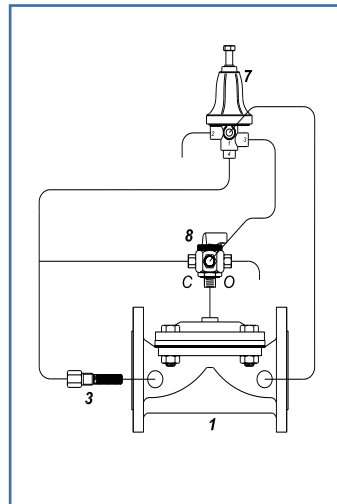
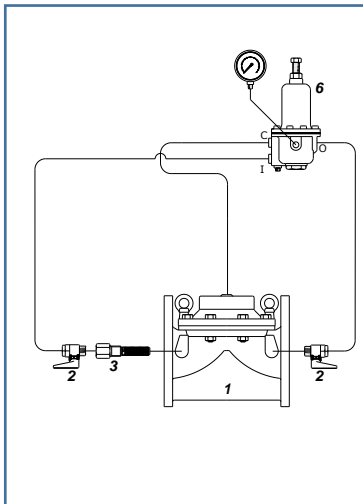
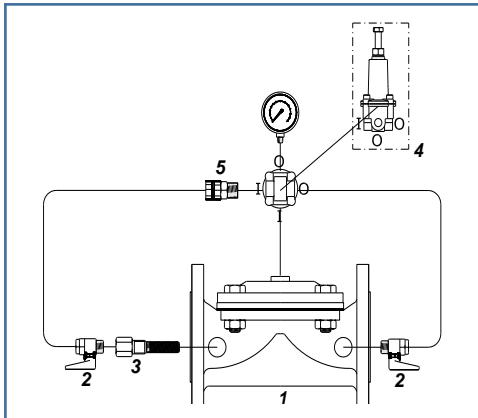


DESCRIPTION:

"PR" model pressure reducer control valve is the hydraulic control valve which reduces high upstream pressure value into desired lower pressure value by means of built-in pressure reducing pilot valves. Pressure reducer control valve controls downstream pressure value continuously and maintains it constant without being affected from flow rate and upstream pressure values. When no flow exists in the system, it is closed by itself automatically. When valve upstream pressure value decreases below adjusted downstream pressure value, it is opened fully by itself.

MAIN CONTROL SYSTEM COMPONENTS:

- 1) Main Valve
- 2) Ball Valve
- 3) Finger Filter
- 4) Pressure Reducing Pilot PRP2W, Sizes: 1 ½"-6"(PN16)
- 5) Orifice or needle valve
- 6) Pressure Reducing Pilot PRBP, Sizes: 1 ½"-12"(PN16-25)
- 7) Multi-Functional Plastic Pilot, Sizes: 1 ½"-6"(PN10)
- 8) 3 Way Selector Valve
AR3 (1 ½"-5")
AR6 (6")



63PR-64PR-66PR-67PR

Pressure Reducing Control Valve



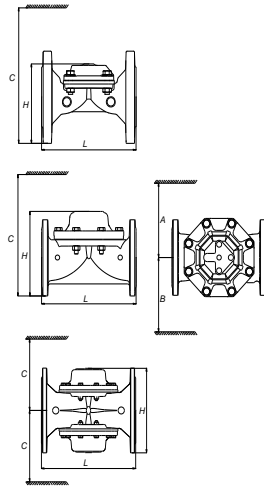
TECHNICAL SPECIFICATIONS:

General Specifications	
Pressure Class	PN10-PN16-PN25
Working Temperature	(-10) - (80 °C)
Size Range	1 ½" – 12"
63 Model (PN10-PN16)	2"-2 ½"-3"-4"
64 Model (PN10-PN16)	2"-2 ½"-3"
66 Model (PN10-PN16)	1 ½"-2"-2 ½"-323"-3"
67 Model (PN10)	1 ½" ---- 6"
67 Model (PN16-PN25)	1 ½" ---- 12"
Main Valve Type	Diaphragm Actuated Diaphragm Closed Single Chamber
Material Properties	
Body - Cover	Ductile Iron
Diaphragm	Reinforced Natural Rubber (Standard) EPDM (optional)
Internals	Stainless Steel, Nylon6,
Coating	Epoxy Powder (Red)
Control System	
Pressure Reducing Pilot "PRP2W"	Brass (standard) Stainless Steel (optional)
Pressure Reducing Pilot "PRBP"	Brass (standard) Stainless Steel (optional)
Multi-Functional Plastic Pilot "PR"	Standard
Fittings	Forged Brass (standard for PN16-25) Stainless Steel (optional) Plastic (standard for PN10)
Tubing	Polyamide (standard for PN10) Reinforced nylon airbrake (standard for PN16-25) Copper (optional) Stainless Steel (optional)
Connection	
Flanged (67 series)	TS EN 1092/2 (standard) ANSI Class 150 (optional)
Threaded (66 series)	BSP (standard) – NPT (optional)
Coupling (63 series)	
Angle Threaded (64 series)	BSP (standard) – NPT (optional)

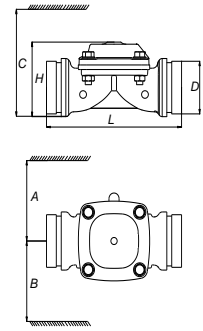
600 SERIES

DIMENSIONS:

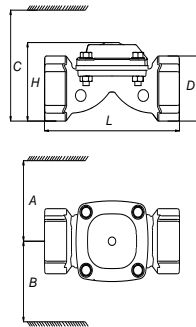
Model 67						
Size		H	C	L	A,B	
inch	mm	mm	mm	mm	mm	mm
1 ½	40	154	454	200	375	
2	50	154	454	200	383	
2 ½	65	162	462	214	393	
323	80*50	160	460	215	400	
3	80	182	482	291	400	
4	100	195	495	305	418	
5	125	204	504	369	435	
6	150	325	625	403	450	
8	200	400	700	494	480	
10	250	463	763	611	513	
12	300	488	788	609	543	



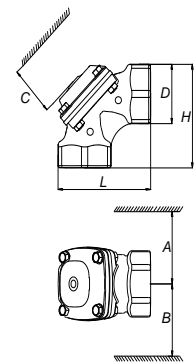
Model 63						
Size		H	C	L	D	A,B
inch	mm	mm	mm	mm	mm	mm
2	50	102	402	185	61	383
2 ½	65	108	408	218	76	393
3	80	125	425	308	89	400
4	100	139	439	313	114	418



Model 66						
Size		H	C	L	D	A,B
inch	mm	mm	mm	mm	mm	mm
1 ½	40	87	387	161	66	375
2	50	108	408	182	82	383
2 ½	65	112	412	216	93	393
323	80*50	120	420	220	110	400
3	80	125	425	323	110	400



Model 64						
Size		H	C	L	D	A,B
inch	mm	mm	mm	mm	mm	mm
2	50	135	300	130	80	383
2 ½	65	163	300	163	93	393
3	80	223	300	212	110	400

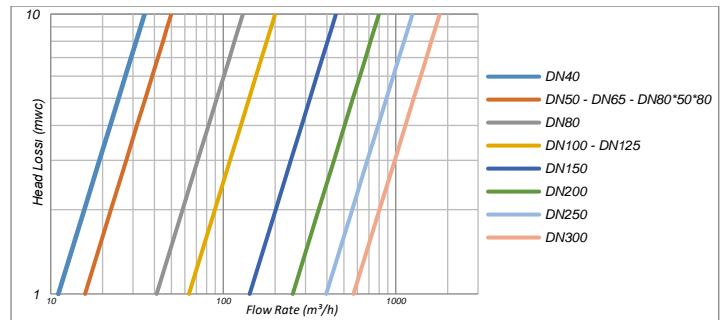


QUICK SIZING:

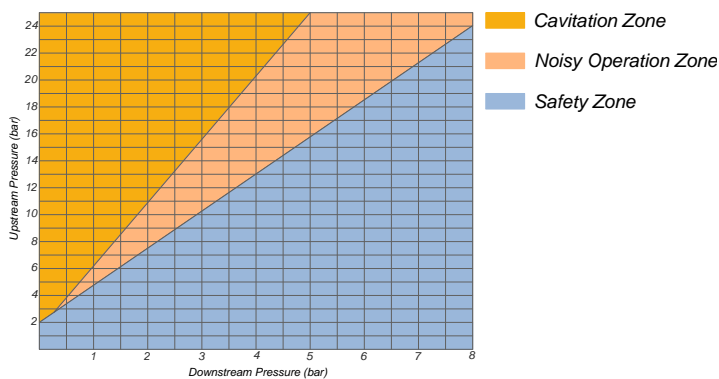
- Maximum recommended flow velocity for continuous operation 5.5m/s.

Valve Size	mm	40	50	65	80-50-80	80	100	125	150	200	250	300
	inch	1½	2	2½	323	3	4	5	6	8	10	12
Kv	m³/h @ 1 bar	35	50	50	50	130	200	200	450	800	1250	1800
Cv	gpm @ 1 psi	45	60	60	60	150	231	231	520	925	1450	2080
	m³/h	25	39	39	39	100	156	156	350	622	972	1400
Maximum Flow Continuity	gpm	110	171	171	171	438	685	685	1541	2739	4279	6162
	m³/h	50	78	78	78	199	311	311	477	848	1325	1909
Maximum Flow Intermittent	gpm	219	342	342	342	876	1369	1369	2101	3735	5836	8403
	m³/h	100	156	156	156	438	685	685	1541	2739	4279	6162

FLOW CHART:

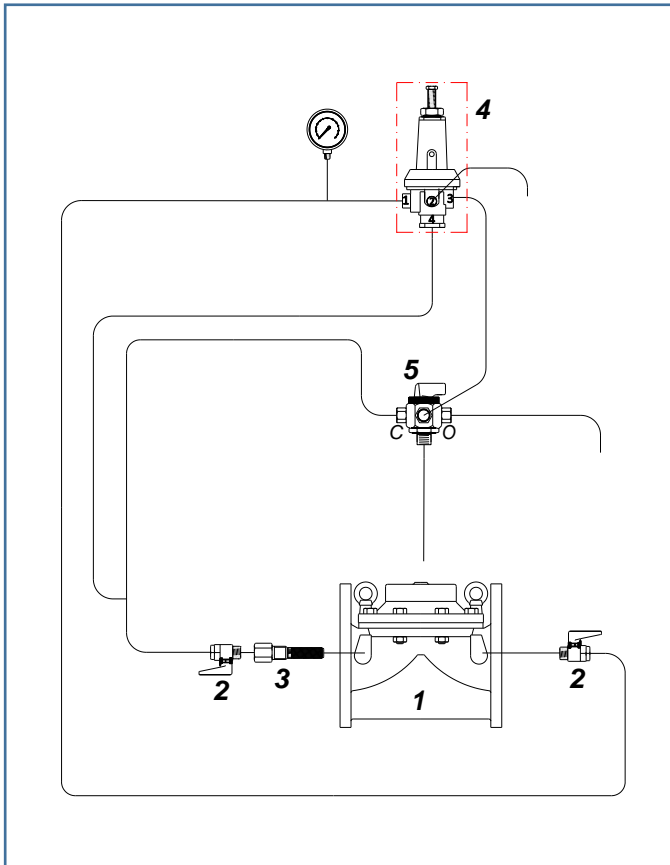


CAVITATION CHART:



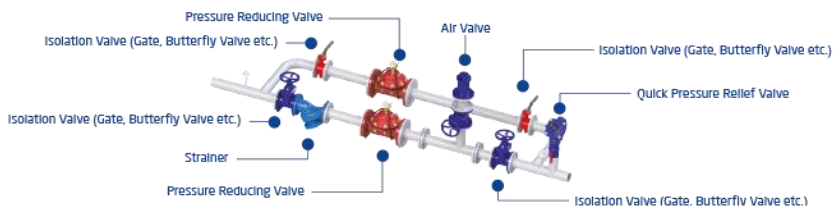
NOTE:

3-way pilots are recommended to use at the application which has very close values between upstream and set pressure because of 3-way pilots provide less head loss.



- 1) Main Valve
- 2) Ball Valve
- 3) Finger Filter
- 4) **"PRSP3W" Multi-Functional Pilot**
Brass (standard)
Sizes: 1 1/2"-12" (PN16-25)
- 5) 3 Way Selector Valve
AR3 (1 1/2"-5")
AR6 (6"-12")

TYPICAL INSTALLATION:



Pressure Reducing Valves reduce pressure to setted downstream pressure value without affecting upstream pressure value at pressure chambers and supplying lines.